

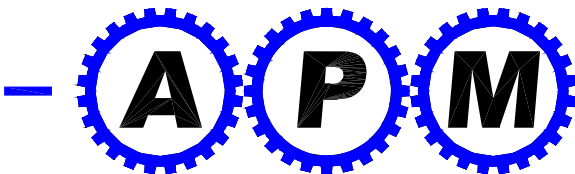
# VFFS - PACKMASTER POUCHER/BAGGER

Compact Vertical Form, Fill and Seal Bagging System.

- **Package Production Applications:** For a wide variety of products and industries such as Automotive, Candy, Cosmetics, Disposables, Electronics, Food, Garden, Hardware, Stationery, Toys, and Non-sterile Medical, Hospital, Pharmaceutical products.
- **Labor Reduction:** Packmaster reduces labor costs when compared to hand bagging.
- **Material Savings:** Using standard center folded film when compared to pre-made bags or special perforated bags on a roll.
- **Easy Operation:** PLC with Keypad Display Controlled and PID Autotune Control of sealing temperature ensures easy setup, quality seals and consistent performance.
- **Smokeless and Odorless Sealing Design:** Proprietary seal blade and coating design.
- **Speeds:** Up to 30 packages per minute in automatic mode.
- **Designed to Seal Materials:** Center Folded Polyethylene, LLDPE, Shrink films, either A or B Wind plain and/or preprinted.
- **Interchangeable Jaw System:** Designed for rapid product changeover from Poucher to Bagger styles in 20 minutes or less.
- **Pouch/Bag sizes:** ranging from a maximum 12" horizontal x 8" vertical down to 2" x 1".



- **Jaw Opening:** up to 3" available on pouch pack style jaw and up to 6" jaw opening on a standard "L" type jaw.
- **Dimensions:** 26" wide, 36" deep, 55" high.
- **Electrical:** 110 VAC 5 amps/ 60 Cycles.
- **Air:** 80 PSI.
- **Available Options:** Print Registration for printed film, Adjustable Film Web Guides and/or Integrated Infeed and Outfeeds systems for a complete Turnkey sealing system.



OVER 50 YEARS OF SUCCESSFUL PACKAGING EXPERIENCE

ALL PACKAGING MACHINERY, CORP.

90 13th Avenue, Ronkonkoma, NY 11779

(631) 588-7310 Fax (631) 467-4690

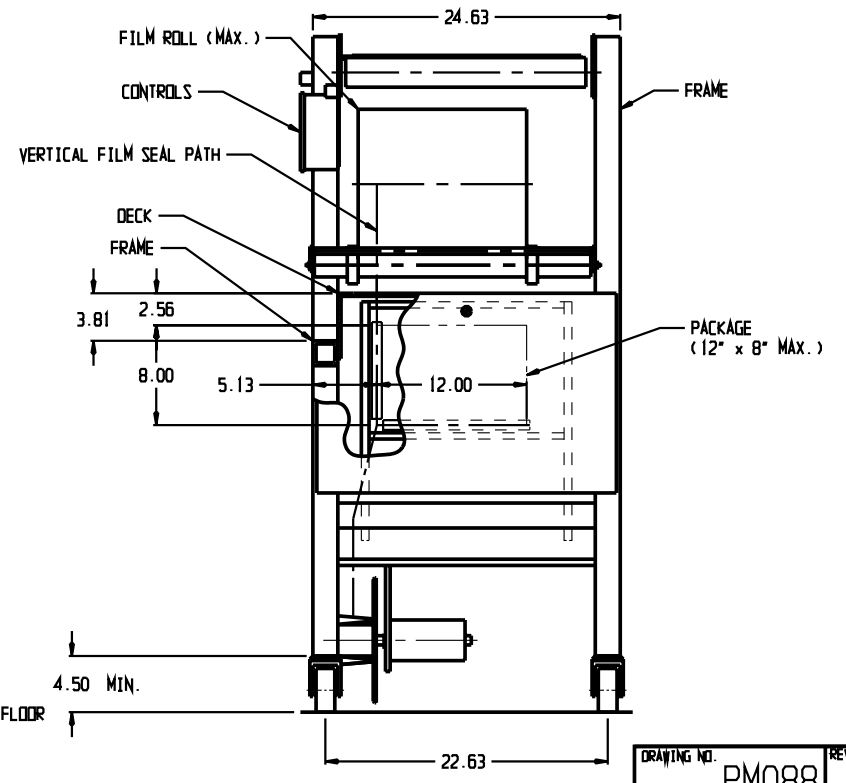
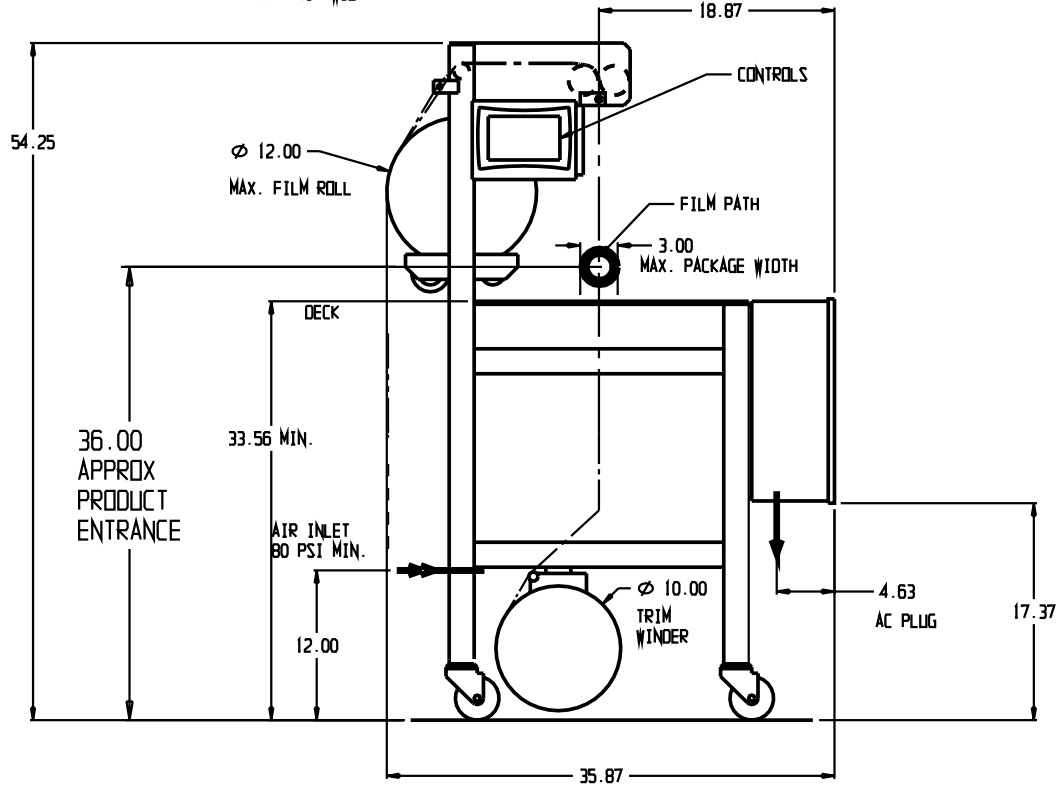
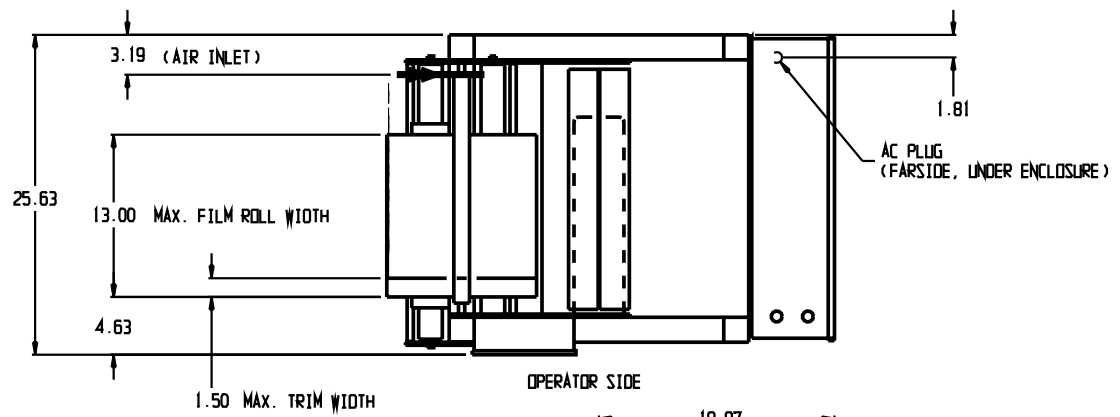
Call Toll Free 1-800-637-8808

[www.allpackagingmachinery.com](http://www.allpackagingmachinery.com)

# APM

**ALL PACKAGING MACHINERY CORP.**  
 Runkankama, N. Y. 11779  
 (631) 588 7310 Fax: (631) 467 4690

CADKEY FILE: MACHINE 12x8	TITLE: MACHINE INSTALLATION DIAGRAM	SIZE: B
DRAWN BY: CLIFF MEYER	SCALE: 1:10 UNITS: INCHES	REV: A
APP'D. BY:	DRAWING NO. PM088	
DATE: 2/28/03		



- NOTES: UNLESS OTHERWISE SPECIFIED.
1. ALL DIMENSIONS ARE SUBJECT TO CHANGE WITHOUT NOTIFICATION.
  2. ALLOW 3' 0" CLEARANCE ABOUT ENTIRE MACHINE FOR SERVICING.
  3. AIR CONSUMPTION APPROX: .08 CUBIC FEET PER MACHINE CYCLE. (AT 30 CYCLES/MIN. = 2.5 SCFM)
  4. ELECTRICAL REQUIREMENTS: 110 VAC, 5 AMPS.

DRAWING NO. PM088 REV. A